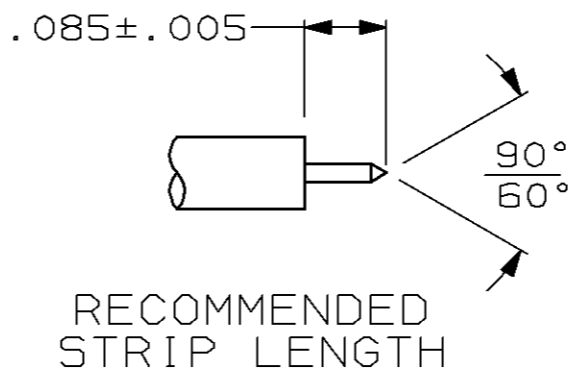
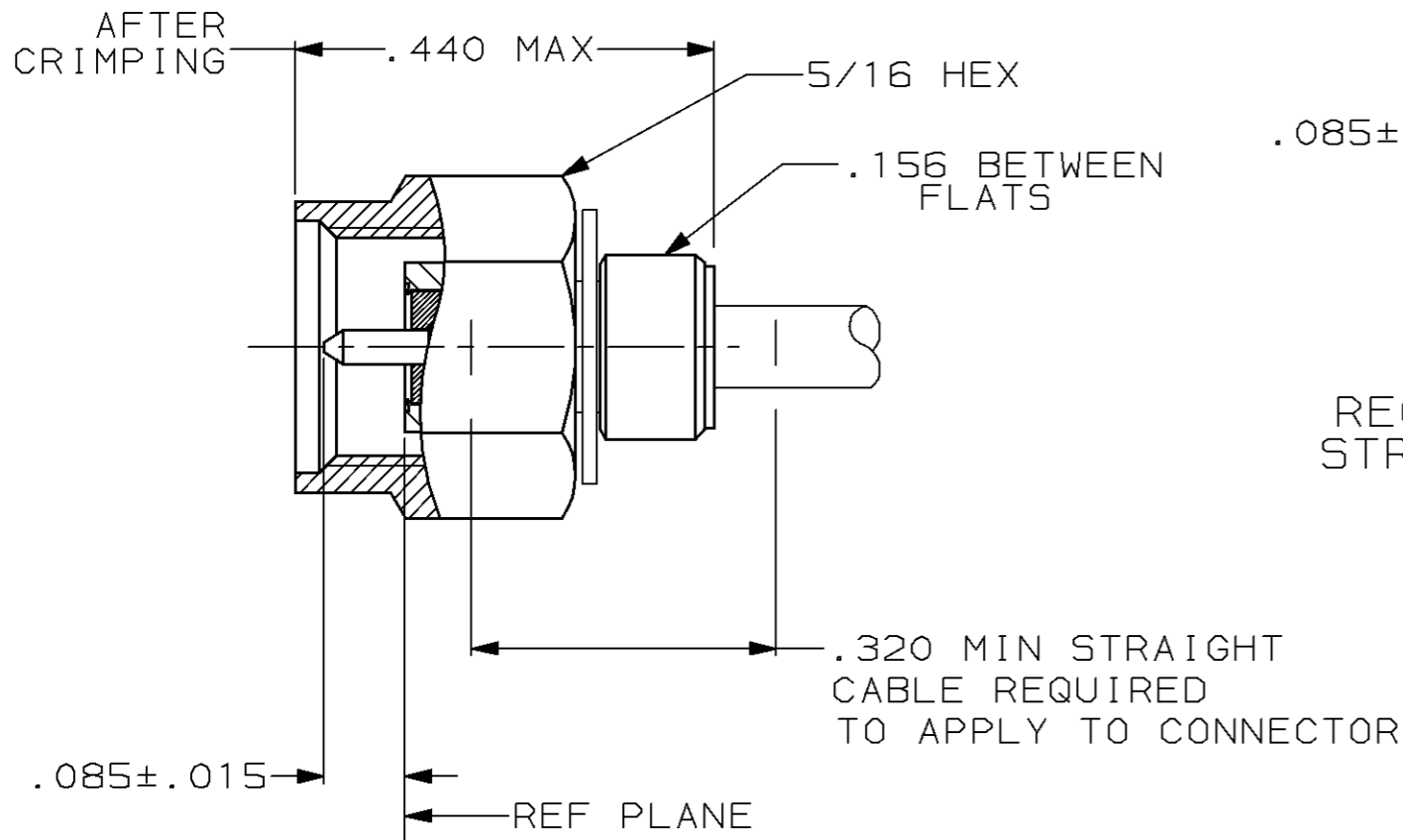
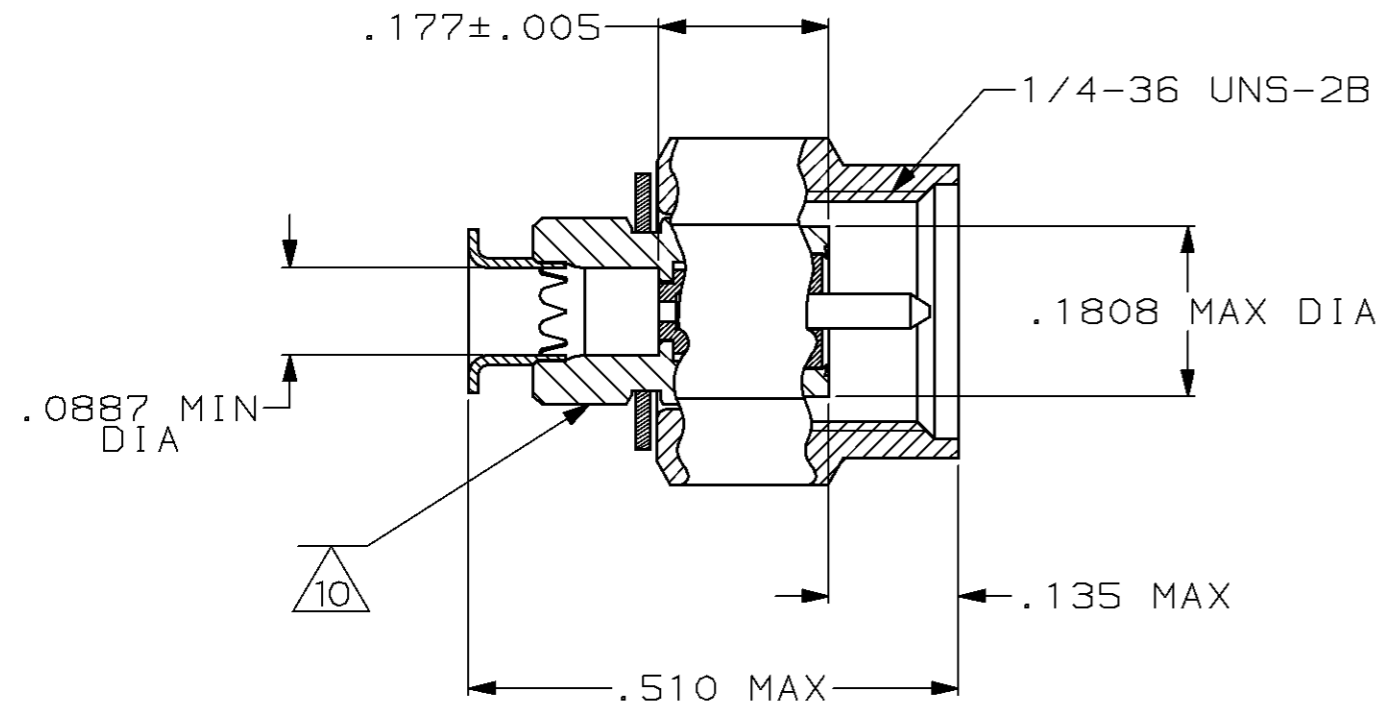


THIS DRAWING IS UNPUBLISHED. RELEASED FOR PUBLICATION ,19 .
 © COPYRIGHT 19 BY AMP INCORPORATED. ALL INTERNATIONAL RIGHTS RESERVED.

LOC	DIST	P	F	REVISIONS				
AJ	16			ZONE	LTR	DESCRIPTION	DATE	APPD
					C	REV PER 0630-0431-98	28OCT98	MO



1. FOR USE WITH: RG-405/U, .086 SEMI RIGID CABLE
2. PNEUMATIC TOOL: 59964-1
CRIMPING TOOL: 59980-1
3. SEE I.S. 2924
4. STAINLESS STEEL PER ASTM-A-582
5. BERYLLIUM COPPER PER ASTM-B-197
6. SILICONE RUBBER PER ZZ-R-765
7. PTFE PER ASTM D1710
8. BRASS PER ASTM-B-36
9. GOLD PER MIL-G-45204
10. PASSIVATION PER ASTM A967
11. NICKEL PL PER QQ-N-290
12. PRODUCT IS DESIGNED TO MEET PRODUCT SPECIFICATION 108-12055
13. AF8627286-2 AMP



DO NOT SCALE PRINT. UNLESS SPECIFIED DIMENSIONS IN INCHES TOLERANCES ON: 2 PLC DEC ± 3 PLC DEC ± ANGLES ±		DR C. BAKER 2-15-89	221447-1	
MATERIAL 4 THRU 8	FINISH 9 THRU 11	CHK L. MOSCOSO 4-10-89	PART NO	
		APPD R. HENRY 4-10-89	AMP INCORPORATED Harrisburg, Pa. 17105	
		APPD L. MOSCOSO 4-10-89	NAME CONNECTOR, COAXIAL, RF, PLUG, SERIES SMA	
		PRODUCT SPEC	SIZE B	FSCM NO 00779
		APPLICATION SPEC	DRAWING NO 221447-1	
		WEIGHT	SCALE 5:1	SHEET 1 OF 1